

Bailey & Mackey Ltd

Visual Setting Switches

Visual Setting Switches are particularly useful in situations where the frequent alteration of the pressure setting is required. The Dial enables you to visually see the current set point of the switch along with enabling easy adjustment.

- Accurate visual setting scale
- One or Two independently operating Micro-switches depending on type
- External adjustment
- Scale calibrated to +/- 2% of range
- IP65 Enclosure Rating
- CE Marked
- Easily Customised
- Diaphragm Operated ≤ 42 bar
- Piston Operated > 42 bar
- LPCB Approved

Mechanical Specifications

Pressures

Type No.	Pressure Ranges
1391 & 2391	0 to 1 bar Vacuum
1391 & 2391	0 to 1 bar
1391 & 2391	0.2 to 4 bar
1391 & 2391	0.5 to 10 bar
1391 & 2391	2 to 30 bar
1391 & 2391	2 to 40 bar
1491 & 2491	5 to 125 mbar
1491 & 2491	15 to 250 mbar
1491 & 2491	25 to 400 mbar
1591 & 2591	9 to 100 bar
1591 & 2591	14 to 200 bar
1591 & 2591	20 to 400 bar

Electrical Ratings

10 Amp at 250V ac 50Hz Inductive Load

1 Amp at 30V dc Inductive Load

For other voltages and currents please consult our Technical Sales Department.

Standard Materials (1391, 1491, 2391 & 2491)

Diaphragm	Beryllium Copper
Seal	Glass filled PTFE ≤ 11 Bar Nitrile Rubber >11 Bar
Housing	Aluminium/Zinc Diecast
Cover	Glass filled Nylon with Neoprene seal
Base	Brass

Standard Materials (1591 & 2591)

Diaphragm	Stainless Steel
Seal	Nitrile Rubber with PTFE Anti-extrusion rings
Base	Stainless Steel
Housing	Aluminium/Zinc Diecast
Cover	Glass filled Nylon with Neoprene seal

Set Point Accuracy	+/- 2%
Temperature Range solidify)	-10 to +85°C (Process fluid must not solidify)
Temperature Coefficient	0.05% (of range per 0°C from 20°C)

Further Info

Maximum Pressure

To ensure long service and life select the pressure range as follows:

Dynamic pressure applications $P_{max} = 75\%$ of Range

Static pressure applications $P_{max} = 100\%$ of Range

Maximum Pressure that can be applied is 125% of pressure range

Installation

The Switches can be mounted directly on the connecting thread. Sealing grooves are machined into the end face of the parallel threads for the use with sealing washers. A mounting bracket is available if required.

Vacuum Setting

At ambient pressure the switches will be in the operated condition, consequently the wiring should be reversed i.e NO becomes NC.

Connecting Threads

All connecting threads used in industry are available including British, American and Metric. Please state required connection thread when ordering.

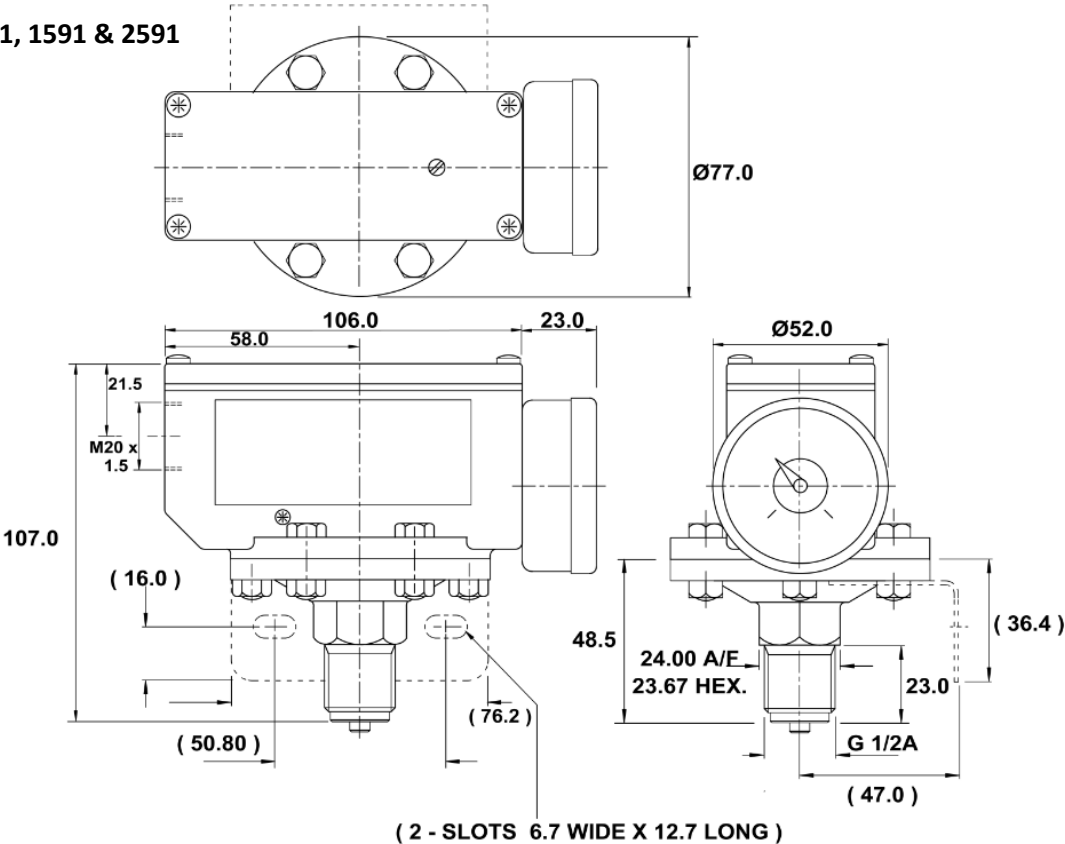
Flanged fittings are available and all types of Hygienic Fittings can be supplied assembled directly onto the Pressure Switch. If flush diaphragms are required please consult our Technical Sales Department.

Alternative Wetted Parts also available, please contact our Technical Sales Department for options and information on this.

Twin Circuit Options also available for the Visual Setting Switches.

Technical Drawings

1391, 2391, 1591 & 2591



1491 & 2491

