

Bailey & Mackey Ltd

Type 73 GJF

These pressure Gauges are intended for use in applications where pressure is to be measured in all fluids that are non-aggressive and have a low viscosity.

- Manufactured to B.S EN 837
- 100mm Diameter
- Glycerine Filled
- Accurate and Stable
- Long service life
- Accuracy +/- 1% F.S.



Mechanical Specifications

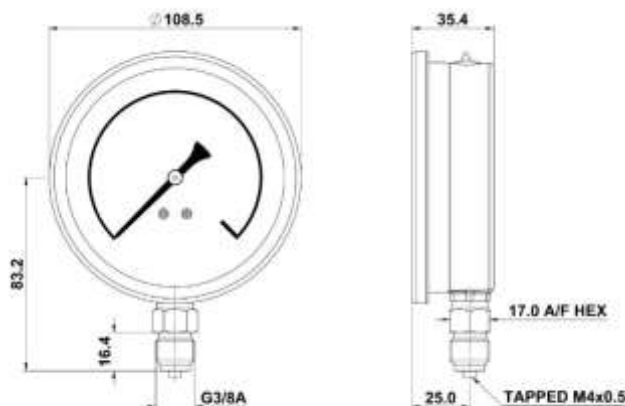
Pressures

- 1 / 0 / +3 bar
- 0 to 1 bar
- 0 to 6 bar
- 0 to 10 bar
- 0 to 16 bar
- 0 to 25 bar
- 0 TO 40 bar

Materials of Construction

Case	Stainless Steel
Bourdon Tube	Phosphor Bronze
Connection	Brass

Technical Drawings



Bourdon Tube Gauges