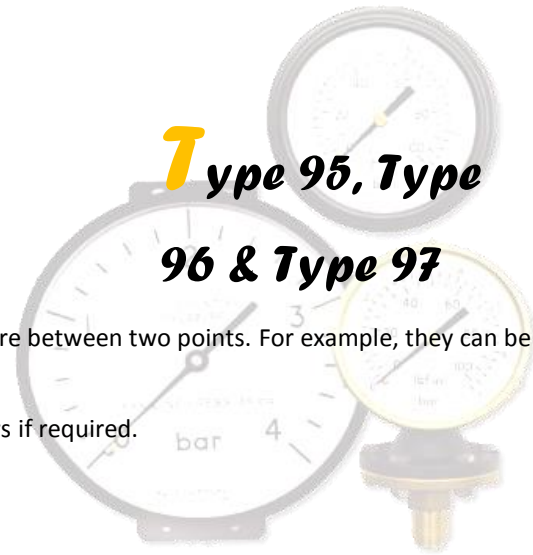


Bailey & Mackey Ltd



Type 95, Type 96 & Type 97

Differential Pressure Gauges are used to monitor the difference in pressure between two points. For example, they can be used to sense the blocking of a filter.

Bleed ports can be provided at the highest point of the pressure chambers if required.

- 100mm and 160mm Diameter
- Maximum Differential Pressure 400 mbar
- Out of balance pressure up to 4 time's respective range.
- All Metal Construction

Image Coming
Soon

Mechanical Specifications

Standard Calibrations

0 to 80 mbar or 0 to 30" H2O

0 to 100 mbar or 0 to 60" H2O

Maximum Line Pressure 7 bar (100 PSI)

0 to 250 mbar or 0 to 100" H2O

0 to 400 mbar or 0 to 160" H2O

Maximum Line Pressure 34 bar (500 PSI)

All ranges can be calibrated to have a centre zero for reading in both directions

For lower pressure ranges see Type 91, Type 92 & Type 93.

Materials of Construction

Wetted Parts	Brass with Beryllium Copper Diaphragm
Seals	Nitrile Rubber
Case 100mm dia.	Mild Steel Black Enamelled
Case 160mm dia.	Aluminium Black Enamelled
Bezel 100mm dia.	Mild Steel Black Enamelled
Bezel 160mm dia.	Mild Steel Black Enamelled

Alternatives Available

(Above 250 mbar)

Wetted Parts	Stainless Steel
Seals	Viton
Case & Bezel (96 & 97)	Stainless Steel
Accuracy	+/- 2.5% - 5% full scale deflection
Temperature	80°C Maximum

(A temperature coefficient of 2% over 30°C can be expected)

Diaphragm Gauges

Special Dial Markings

Dials calibrated in other pressure units such as kN/m^2 , MN/m^2 , kPa , kg/cm^2 , cm water , meters of water , cm Hg , inches Hg etc. single scale, dual scale or with square root markings can be supplied if required. An extra charge is made for special dial marking.

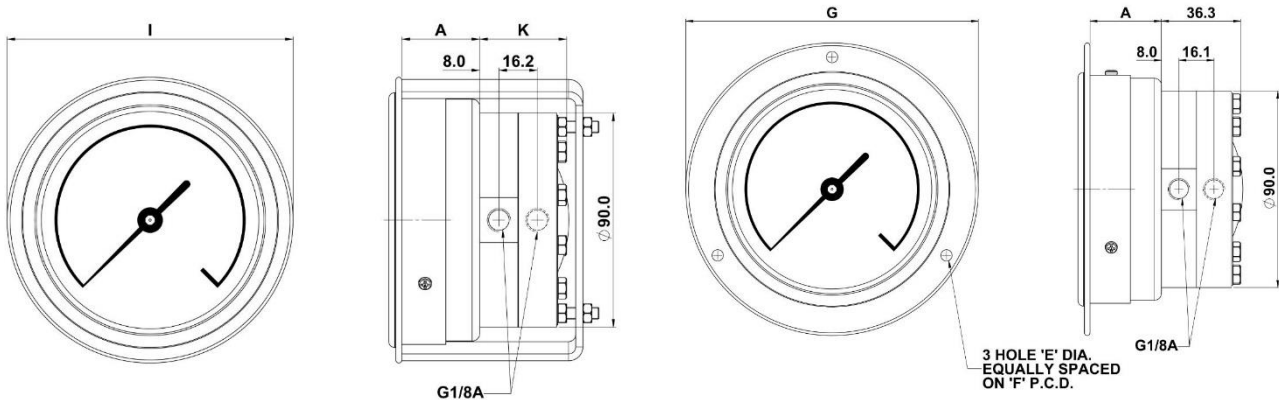
Overload

Dimensions of the Diaphragm housing are such that the movement of the diaphragm is stopped when the pressure difference exceeds the full scale deflection. The gauge will accept the accidental application of up to 4 times the range without damage except for a small calibration error. Under working conditions the pressure difference should not exceed the full scale value of the gauge. This overload should not preclude the installation of a balancing valve in all applications where differential pressure gauges are used.

- Type 95 is Panel Mounting 3 Hole Fixing
- Type 96 is Panel Mounting Clamp Fixing
- Type 97 is Surface Mounting via Brackets
- For Stainless Steel case and bezel add a Suffix S to the above Parts Numbers (Type 96 & 97 only)

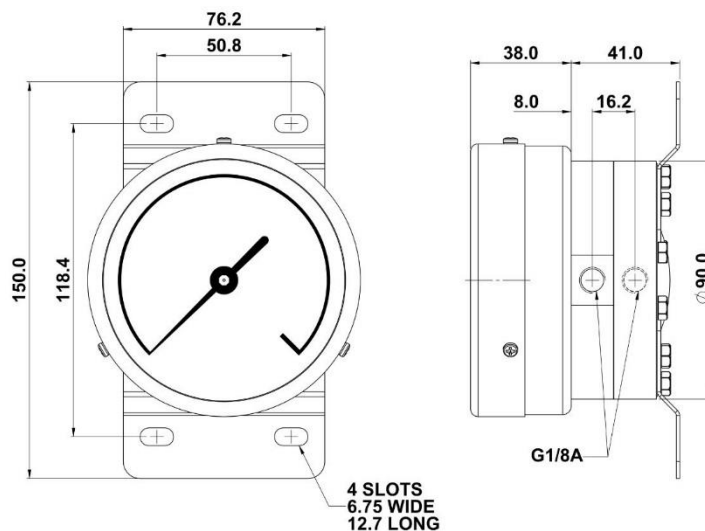
Technical Drawings

Type 95 & 96



Nominal Size	A	E	F	G	I	K	No of Clamps	Panel Cut Out	Weight
100mm	32.5mm	5.2mm	121.0mm	134.0mm	118.5mm	38.2mm	1	112.0mm	1.65kg
160mm	42.2mm	5.2mm	175.0mm	184.0mm	169.0mm	38.2mm	3	165.0mm	1.85kg

Type 97



For Type 97 all other Dimensions are as for the Type 95 above except the Panel Mounting Bezel is replaced by a Plain Bezel.