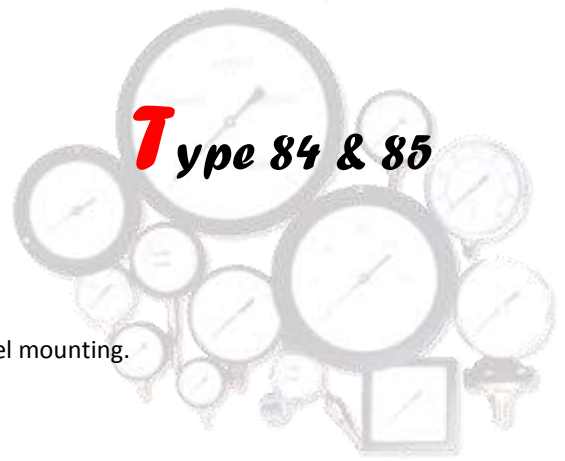


Bailey & Mackey Ltd



Of high quality and robust construction these gauges are intended for panel mounting.

- 60 to 150mm Diameter
- Panel Mounting with Clamp Fixing
- Rear Connection
- Ranges available from -1 up to 700 bar (depending on size)
- Combined Pressure & Vacuum
- Accuracy +/- 1% FSD
- All Metal Construction
- Full size sensing element
- Enclosure rating IP54
- Energy Release 100mm dia. and above at rear of case.

Image Coming
Soon

Mechanical Specifications

Materials of Construction

Case

60-100mm dia.	Steel
150mm dia.	Aluminium

Bezel

60-150mm dia.	Steel
---------------	-------

Window

Instrument Glass

Sensing Element

Up to 250 bar	Phosphor Bronze
Above 250 bar	Steel

Movement

Brass

Connection

Brass

Finish

Black Enamelled

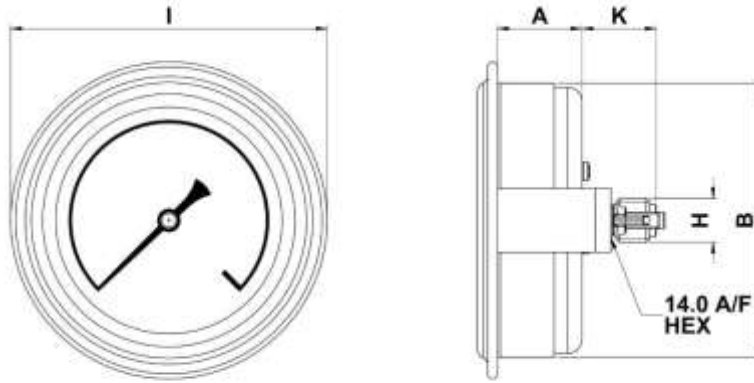
All Bailey & Mackey Pressure Gauges can be adapted to meet the user's application.

e.g. the connecting thread can be modified, the dial can be scaled in any unit and company logo's incorporated, the colour and material of the case and bezel can be changed.

For all other modifications please speak to our Technical sales team.

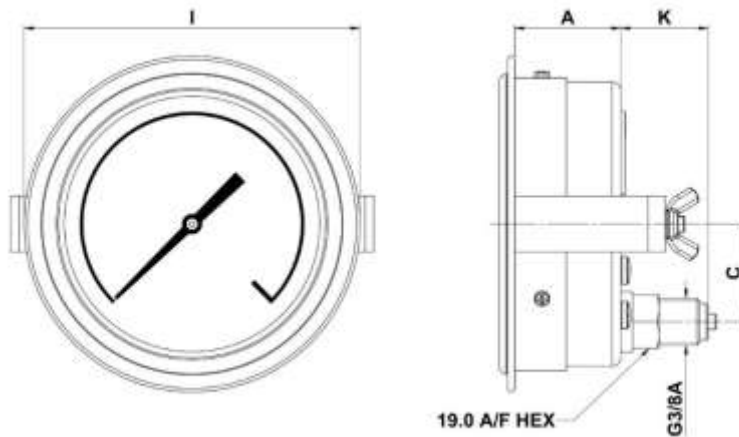
Technical Drawings

50 to 80mm Diameter



Nominal Size	A	B	H	I	K	Panel Cut-Out	Weight
50mm	23.5mm	53mm	1/8" BSP	55.6mm	19mm	53mm	0.13kg
60mm	27.7mm	61.7mm	1/4" BSP	73mm	20.6mm	65mm	0.28kg
80mm	25.7mm	81mm	1/4" BSP	95mm	20.6mm	87mm	0.3kg

100 to 150mm Diameter



Nominal Size	A	C	I	K	Panel Cut-Out	Weight
100mm	38.2mm	35mm	120mm	30.5mm	110mm	0.8kg
150mm	48.3mm	56.4mm	169.1mm	27.8mm	165mm	1.5kg