

Bailey & Mackey Ltd



Of high quality and robust construction this range of instruments is designed for mounting in control cabinets.

- 60 to 150 mm Diameter
- Panel Mounting with three hole fixing
- Bottom Connection
- Ranges available from -1 up to 700 bar
- Combined Pressure & Vacuum
- Accuracy +/- 1% FSD
- All metal Construction
- Full size sensing Element
- Enclosure rating IP54
- Energy release 100mm dia. and above at rear of case.

Image Coming
Soon

Mechanical Specifications

Materials of Construction

Case

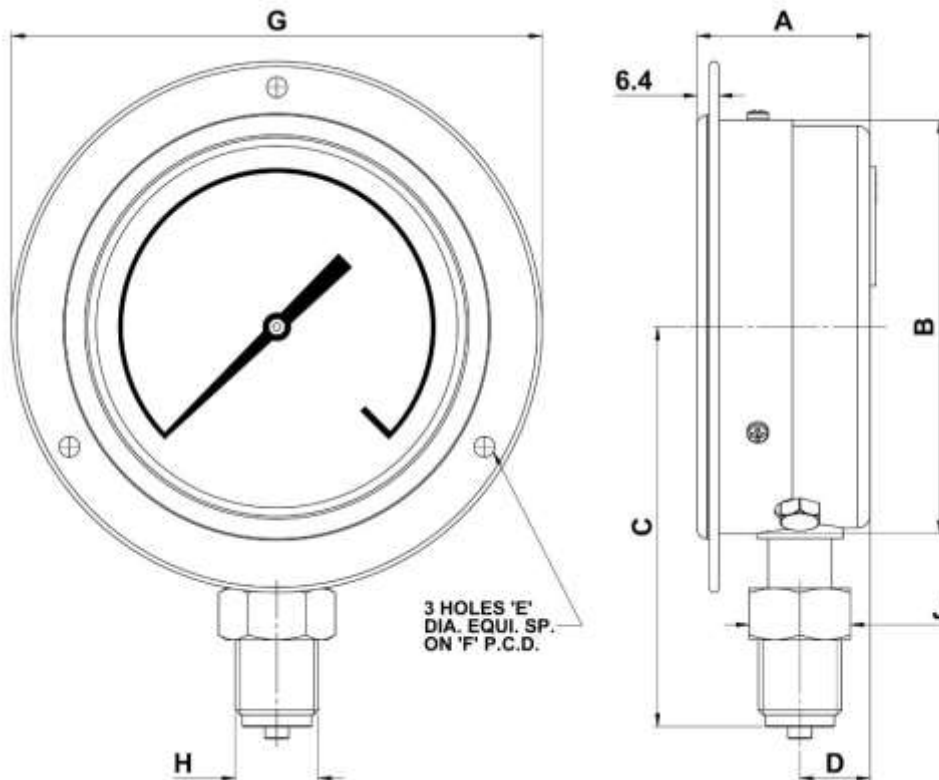
60-100 mm dia.	Steel
150mm dia.	Aluminium
Bezel	Brass
Window (Type 80)	Instrument Glass
(Type 80SP)	Perspex
Sensing Element	
Up to 250 bar	Phosphor Bronze
Above 250 bar	Steel
Movement	Brass
Connection	Brass
Finish	Black Enamelled

All Bailey & Mackey Pressure Gauges can be adapted to meet the user's application.

e.g. the connecting thread can be modified, the dial can be scaled in any unit and company logo's incorporated, the colour and material of the case and bezel can be changed.

For these and other modifications please contact our Technical Sales Team.

Technical Drawings



Normal Size	A	B	C	D	E	F	G	H	J	Weight
60mm	33.0mm	61.0mm	56.2mm	11.9mm	3.3mm	71.4mm	79.5mm	G 1/4	16 A/F	0.19 kg
60mm S.P	31.5mm	61.1mm	54.7mm	11.9mm	3.3mm	71.4mm	79.5mm	G 1/4	16 A/F	0.19 kg
80mm	39.0mm	81.1mm	64.5mm	18.2mm	4.8mm	94.0mm	102.0mm	G 1/4	16 A/F	0.29 kg
80mm S.P	37.5mm	81.1mm	63.0mm	18.2mm	4.8mm	94.0mm	102.0mm	G 1/4	16 A/F	0.29 kg
100mm	43.0mm	103.5mm	97.5mm	19.0mm	5.2mm	121.0mm	134.0mm	G 1/2	24 A/F	0.8 kg
150mm	48.0mm	163.5mm	119.0mm	20.6mm	5.2mm	175.0mm	184.0mm	G 1/2	24 A/F	1.5 kg