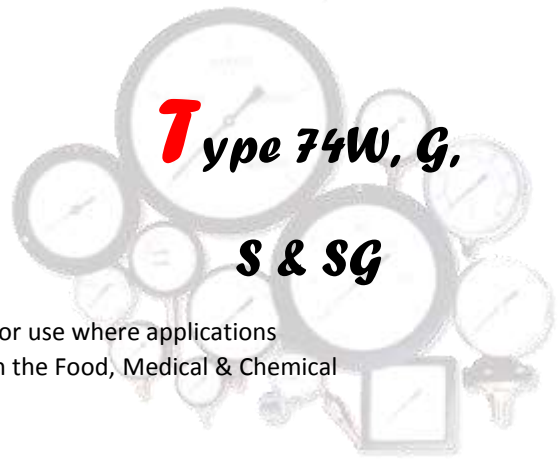


# Bailey & Mackey Ltd



With Sealed cases which can be liquid filled these gauges are intended for use where applications demand a robust construction. The stainless steel version can be used in the Food, Medical & Chemical Industries.

- 100 & 160mm diameter
- Sealed case
- Glycerine Filled & Dry
- Back Flange mounting
- Bottom Connection
- Ranges available from -1 up to 700 bar
- Combined Pressure & Vacuum
- Accuracy +/- 1% FSD
- All Metal Construction
- Enclosure rating IP68
- Energy release at top of case

Image Coming  
Soon

## **M***echanical Specifications*

### **Materials of Construction**

#### **Type 74W – Dry**

#### **Type 74G – Liquid Filled**

Case & Bezel	Steel
Sensing Element	
Up to 250 bar	Phosphor Bronze
Above 250 bar	Steel
Movement	Brass
Connection	Brass
Finish	Black Enamelled

#### **Type 74S – Dry**

#### **Type 74 SG – Liquid Filled**

Case & Bezel	Stainless Steel
Sensing Element	Stainless Steel
Connection	Stainless Steel
Movement	Stainless Steel

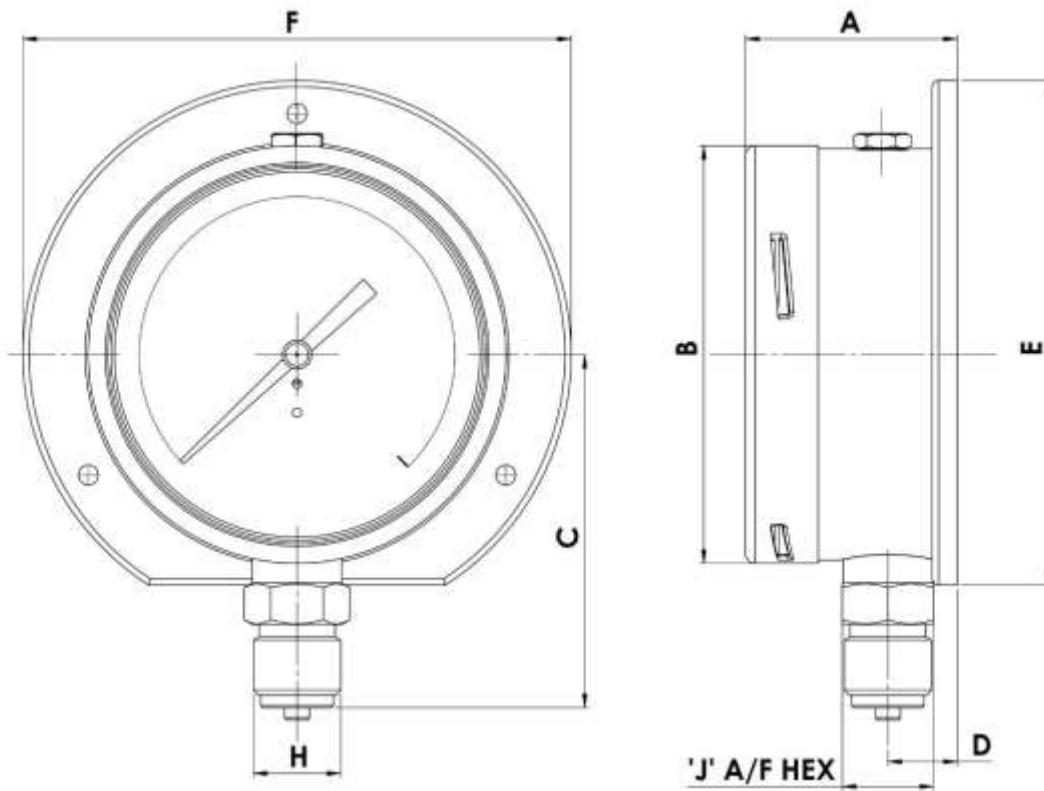
Windows on all the above gauges are transparent Plastic.

All Bailey & Mackey Pressure Gauges can be adapted to meet the user's application.

e.g. the connecting thread can be modified, the dial can be scaled in any unit and company logo's incorporated, the colour and material of the case and bezel can be changed.

For these and other modifications please contact our Technical Sales Team

## Technical Drawings



Normal Size	A	B	C	D	E	F	H	J	Mounting Holes
100mm	50.5mm	101mm	82mm 86mm	16.7mm	121.5mm	132mm	3/8" BSP 1/2" BSP	22mm	3 x 4.80 Dia ON 116 P.C.D
160mm	54mm	160mm	111.3mm 115.3mm	16.7mm	184mm	196mm	3/8" BSP 1/2" BSP	22mm	3 x 5.80 Dia ON 178 P.C.D