

Bailey & Mackey Ltd



Of high quality and robust construction this range of instruments are designed for use in most industrial applications where the fluid is not aggressive to copper alloys.

- 100mm & 150mm Diameter
- Back Flange Mounting
- Bottom Connection
- Ranges available from -1 up to 700 bar
- Combined Pressure & Vacuum
- Accuracy +/-1% FSD
- All Metal Construction
- Full Size Sensing Element
- Enclosure Rating IP54
- Energy Release at rear of case



Mechanical Specifications

Materials of Construction

Case

100mm dia.	Steel
150mm	Aluminium

Bezel	Brass
Window (Type 74)	Instrument Glass
(Type 74SP)	Perspex

Sensing Element

Up to 250 bar	Phosphor Bronze
Above 250 bar	Steel

Movement	Brass
-----------------	-------

Connection	Brass
-------------------	-------

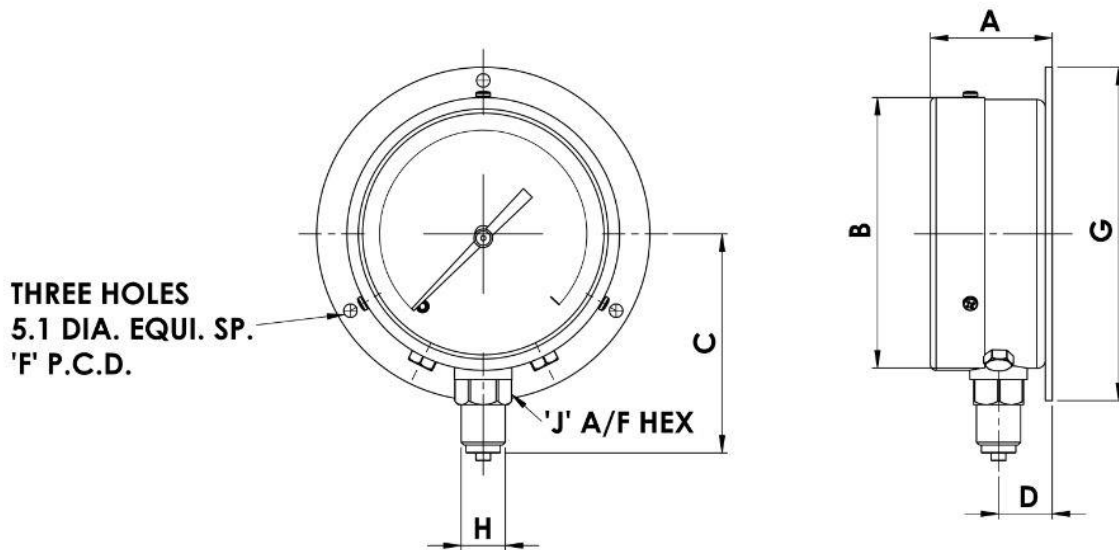
Finish	Black Enamelled
---------------	-----------------

All Bailey & Mackey Pressure Gauges can be adapted to meet the users application.

e.g. the connecting thread can be modified, the dial can be scaled in any unit and company logo's incorporated, the colour and material of the case and bezel can be changed.

For these and any other modifications please contact our Technical Sales Team.

Technical Drawings



Normal Size	A	B	C	D	F	G	H	J	Weight
100mm	46.0mm	103.0mm	82.0mm	19.0mm	116.0mm	126.0mm	3/8" BSP	19.0mm	0.45 kg
150mm	48.0mm	151.0mm	103.0mm	19.0mm	163.5mm	175.5mm	3/8" BSP	19.0mm	1.1kg
150mm	48.0mm	151.0mm	*119.0mm	19.0mm	163.5mm	175.5mm	*1/2" BSP	*24.0mm	*1.18 kg

*1/2" BSP connections standard for 60 bar, 1000 lbf/in² and above 3/8" BSP connections standard below 60 bar and 1000 lbf/in²