

Bailey & Mackey Ltd

Type 73



The Type 73 Gauge is of high quality and robust construction, this range of instruments is designed for use in most industrial applications where the fluid used is not aggressive to Copper Alloys.

- 50mm to 150mm Diameter
- Direct Mounting
- Bottom Connection
- Ranges available from -1 up to 700 bar (Hydraulic use 25 bar +)
- Also available in Vacuum ranges
- Option of combined Pressure & Vacuum
- Accuracy +/-1% FSD (50mm +/- 2.5% FSD)
- All metal construction
- Enclosure rating IP54
- Full Size sensing element
- Energy release at rear of case 100mm diameter and above.



Mechanical Specifications

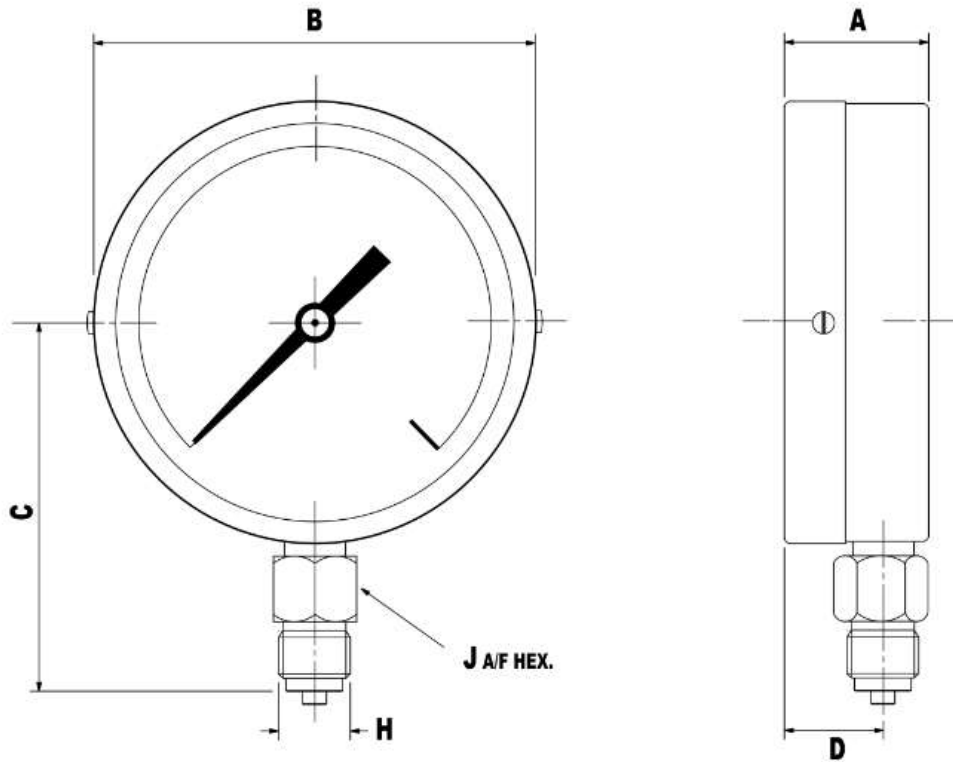
Materials of Construction

Case		Sensing Element	
50-100mm	Steel	Up to 250 bar	Phosphor Bronze
150mm	Brass	Above 250 bar	Steel
Bezel		Movement	
50mm	Steel		Brass
60-150mm	Brass	Connection	
Window			Brass
	Instrument Glass	Finish	
			Black Enamelled

All Bailey & Mackey Pressure Gauges can be adapted to meet the users application.

e.g. the connecting thread can be modified, the dial can be scaled in any unit and company logo's incorporated, the colour and material of the case and bezel can be changed.

Technical Drawings



Normal Size	A	B	C	D	H	J	Weight
50mm	27.6mm	53.0mm	47.5mm	8.5mm	G1/8, 1/8" BSP	15.25mm	0.127 kg
60mm	30.1mm	61.2mm	50.8 mm	12.7 mm	G1/4, 1/4" BSP	14.0mm	0.182 kg
63mm	33.0mm	64.5mm	51.0mm	12.7mm	G1/4, 1/4" BSP	14.0mm	0.19kg
80mm	33.8mm	81.1mm	63.6mm	13.2mm	G1/4, 1/4" BSP	14.0mm	0.25kg
100mm	43.0mm	103.0mm	81.8mm	16.8mm	G3/8, 3/8" BSP	19.0mm	0.64kg
100mm	43.0mm	103.0mm	97.7mm	16.8mm	*G1/2, 1/2" BSP	*24.0mm	0.68kg
150mm	48.0mm	151.0mm	103.0mm	19.0mm	G3/8, 3/8" BSP	19.0mm	1.1kg
150mm	48.0mm	151.0mm	119.0mm	19.0mm	*G1/2, 1/2" BSP	*24.0mm	1.18kg

*1/2" BSP connections standard for 60 bar, 1000 ibf/in² and above.

3/8" BSP connections standard below 60 bar, and 1000 ibf/in².