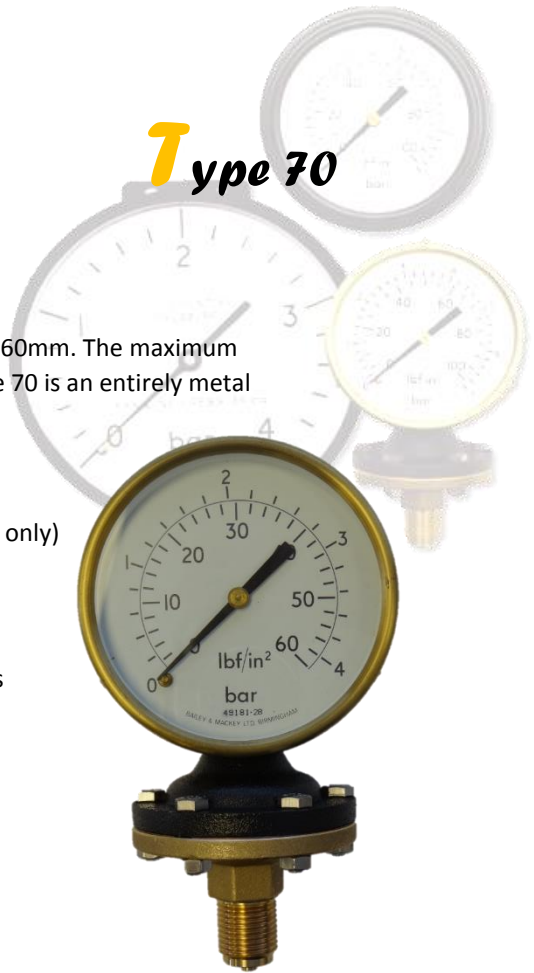


# Bailey & Mackey Ltd

## Type 70

Type 70 Gauges come in 3 variations and face dimensions 80mm, 100mm & 160mm. The maximum working pressure is 40 bar with a maximum Vacuum Pressure of 1 Bar. Type 70 is an entirely metal construction.

- Type 70 is Direct Mounting Bottom Connection (100mm & 160mm only)
- Type 70A is Panel Mounting Centre back connection 3 hole fixing
- Type 70B is Panel Mounting Centre back connection clamp fixing
- For stainless steel add a suffix S to the above type numbers
- For Glycerine Filled Gauges as a suffix G to the above part numbers



## Mechanical Specifications

### Standard Calibrations

|              |    |                              |
|--------------|----|------------------------------|
| 0 to -1 Bar  | or | 0 to 30 inches mercury       |
| 0 to 1 bar   | or | 0 to 15 lbf/in <sup>2</sup>  |
| 0 to 1.6 bar | or | 0 to 30 lbf/in <sup>2</sup>  |
| 0 to 2.5 bar | or | 0 to 60 lbf/in <sup>2</sup>  |
| 0 to 4 bar   | or | 0 to 100 lbf/in <sup>2</sup> |
| 0 to 6 bar   | or | 0 to 160 lbf/in <sup>2</sup> |
| 0 to 10 bar  | or | 0 to 200 lbf/in <sup>2</sup> |
| 0 to 16 bar  | or | 0 to 300 lbf/in <sup>2</sup> |
| 0 to 25 bar  | or | 0 to 400 lbf/in <sup>2</sup> |
| 0 to 40 bar  | or | 0 to 600 lbf/in <sup>2</sup> |

### Combined Pressure & Vacuum

Gauges with dials marked positive and negative relative to atmospheric pressure which can indicate pressure and vacuum on the same instrument can be supplied

NOTE: Absolute pressure gauges are not available from Bailey & Mackey Limited

**Accuracy** +/- 1.6% of maximum scale value

**Temperature Coefficient** 0.07% of range per 0°C to 20°C

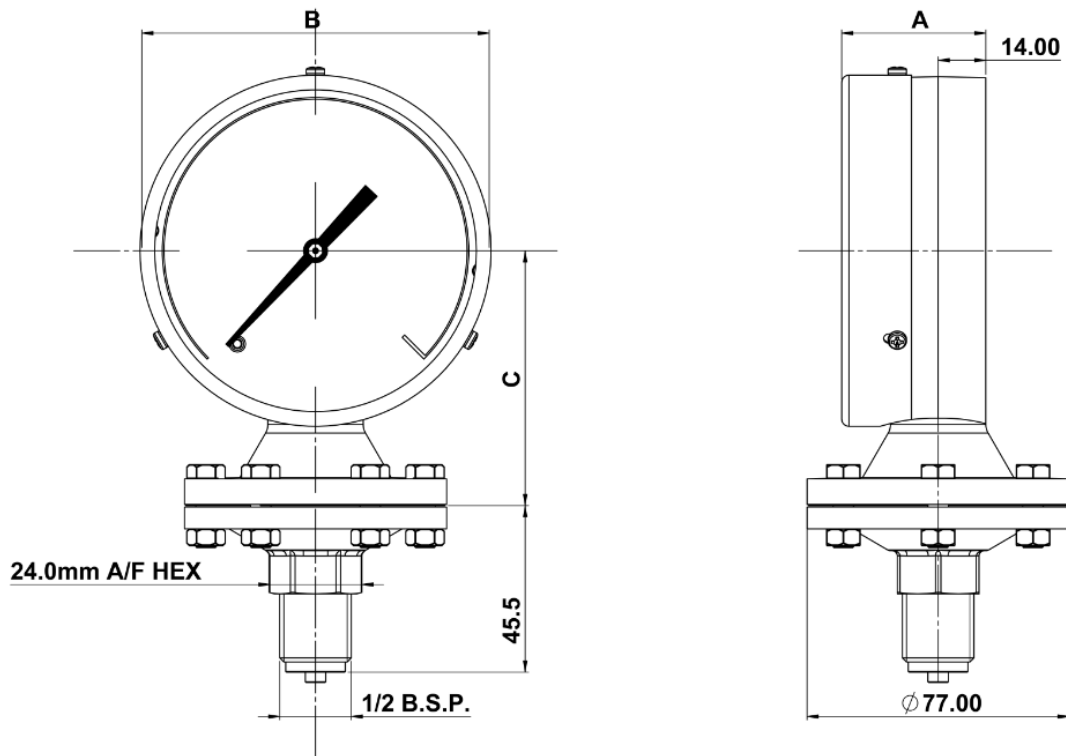
### Special Dial Markings

Dials calibrated in other pressure units such as Kn/m<sup>2</sup>, MN/m<sup>2</sup>, kPa, Kg/cm<sup>2</sup> and dual scale can be supplied if required. An extra charge is made for special dial marking.

## Diaphragm Gauges

## Technical Drawings

### Type 70

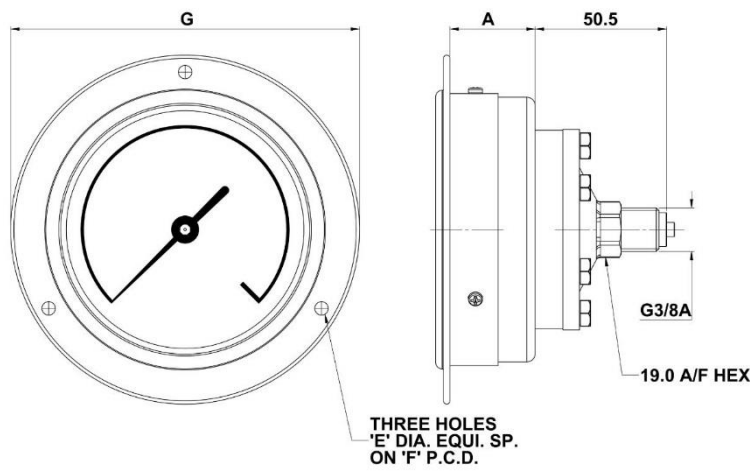


| Normal Size | A    | B     | C      | Weight |
|-------------|------|-------|--------|--------|
| 100mm       | 38mm | 103mm | 74.6mm | 1.0kg  |
| 160mm       | 43mm | 151mm | 99mm   | 1.1kg  |

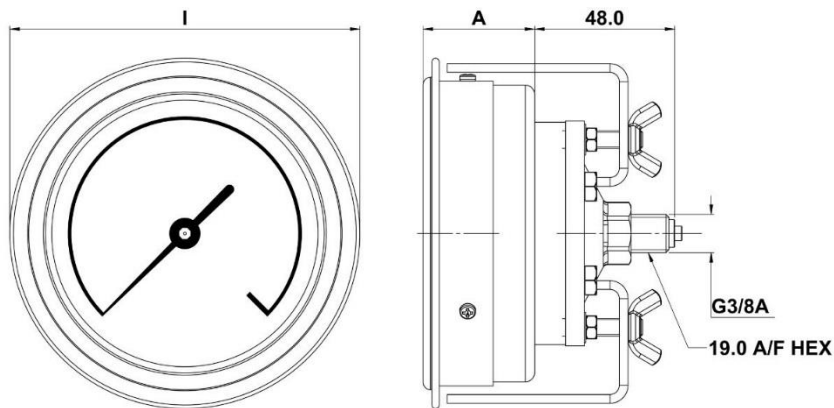
### Standard Materials

|                  |  |
|------------------|--|
| Case             | 100mm Gauge, Zinc Die-cast Case with Brass Bezel<br>160mm Gauge, Aluminium Case with Brass Bezel |
| Pressure Chamber | Brass Base with Beryllium Copper Diaphragm   |

## Type 70A



## Type 70B



| Nominal Size | A      | E     | F     | G     | I     | No of Clamps | Panel Cut-out | Weight |
|--------------|--------|-------|-------|-------|-------|--------------|---------------|--------|
| 80mm         | 27.7mm | 4.8mm | 94mm  | 102mm | 95mm  | 2            | 86.8mm        | 0.56kg |
| 100mm        | 41.7mm | 5.2mm | 121mm | 134mm | 120mm | 2            | 112mm         | 1.0kg  |
| 160mm        | 49.5mm | 5.2mm | 175mm | 184mm | 169mm | 3            | 165mm         | 1.7kg  |

### Standard Materials

|                  |  |
|------------------|--|
| Case             | 80mm & 100mm Gauge, Mild Steel Case and Brass Bezel Black Enamelled<br>160mm Gauge, Aluminium Case and Bezel Black Enamelled                             |
| Alternatively    | 304 Stainless Steel Case & Bezel (Not Available for Type 70A)  |
| Pressure Chamber | Brass Pressure Chamber with Beryllium Copper Diaphragm   |
| Alternatively    | 316 Stainless Steel Pressure Chamber with 17/7 P.H. Stainless Steel Diaphragm<br>OR Beryllium Copper Diaphragm with 316 Stainless Steel Protection Disc. |