

Bailey & Mackey Ltd

Type 50DPP & DPT



A Variant of the 50DP range of pressure gauges, this range allows for two pressure gauges, a pressure gauge and a temperature gauge or two temperature gauges to be housed in one case

- 50mm Diameter
- Panel mounting with Clamp Fixing
- Rear connections
- Pressure ranges up to 20 bar
- Temperature ranges up to 150°C
- Accuracy +/- 2.5%
- All Metal Construction
- Zero adjuster (optional)
- Internal Illumination



*M*echanical Specifications

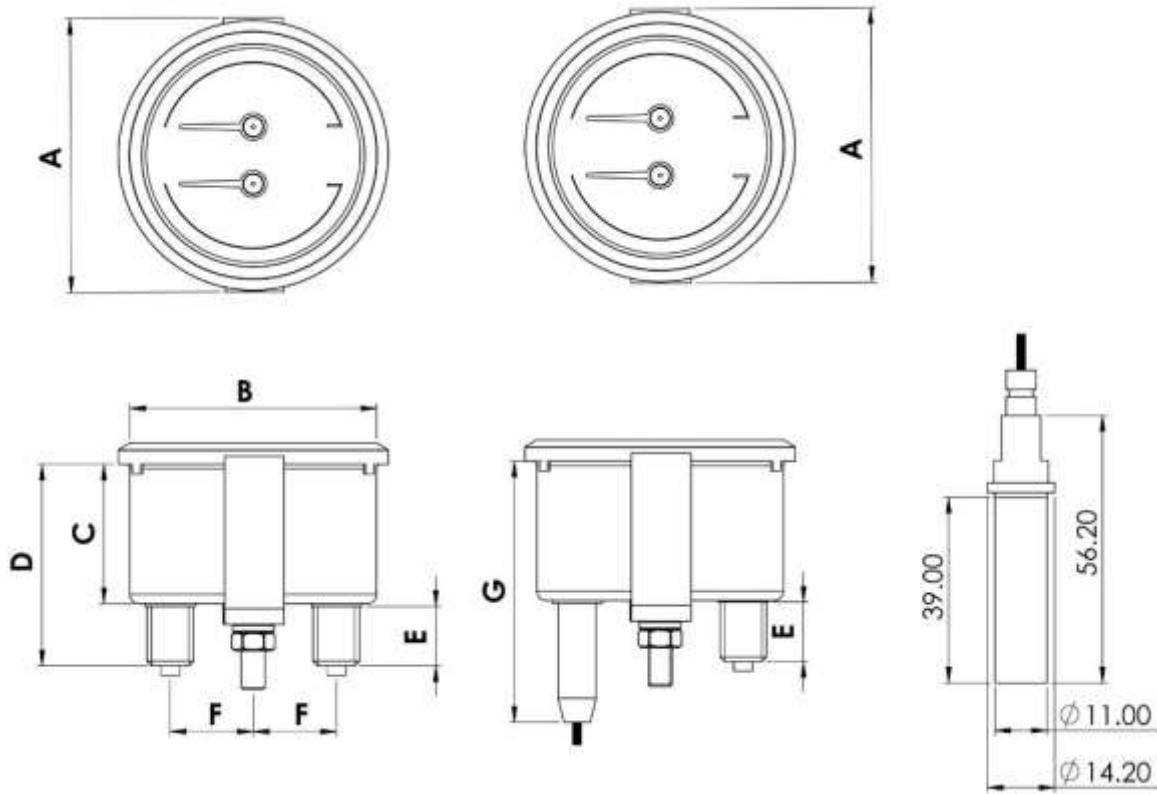
Materials of Construction

Case	Steel Black Enamelled
Bezel	Brass – Chrome Plated
Window	Instrument Glass
Sensing Element	Phosphor Bronze
Temperature Bulb	Brass
Capillary	Copper Steel Armoured and plastic covered
Movement	Brass
Connection	Brass
Internal Illumination	12/24v dc (When requested)

All Bailey & Mackey Pressure Gauges can be adapted to meet the user's application.

e.g. The connecting thread can be modified. The dial can be scaled in any unit and company logo's incorporated, the colour and material of the case and bezel can be changed.

***T*echnical Drawings**



Connection	A	B	C	D	E	F	G
1/8" BSP	56.0mm	50.0mm	30.0mm	40.0mm	9.5mm	18.0mm	57.0mm