

Bailey & Mackey Ltd

Low Pressure Diaphragm Gauges



The Low Pressure Gauges consist of 4 different Gauges...

Type 65 (Direct Mounting Bottom Connection)

Type 66 (Panel Mounting Centre Back Connection 3 Hole Fixing)

Type 67 (Panel Mounting Centre Back connection Clamp Fixing)

Type 68 (Surface Mounting Centre Back Connection)

Each gauge type has the following features...

- 100 and 150mm Diameter
- Maximum Pressure 400 mbar
- Maximum Vacuum 400 mbar
- Combined Pressure & Vacuum
- All Metal Construction

Mechanical Specifications

Standard Calibrations

0 to 30 mbar	or	0 to 12" H ₂ O
0 to 50 mbar	or	0 to 20" H ₂ O
0 to 100 mbar	or	0 to 40" H ₂ O
0 to 160 mbar	or	0 to 60" H ₂ O
0 to 250 mbar	or	0 to 100" H ₂ O
0 to 400 mbar	or	0 to 160" H ₂ O

For alternative pressure ranges speak to our Technical Sales Team.

Combined Pressure & Vacuum

Optional gauges with dials marked positive and negative relative to atmospheric pressure to indicate pressure and vacuum on the same instrument can also be supplied

Accuracy +/- 1.6% of maximum scale value

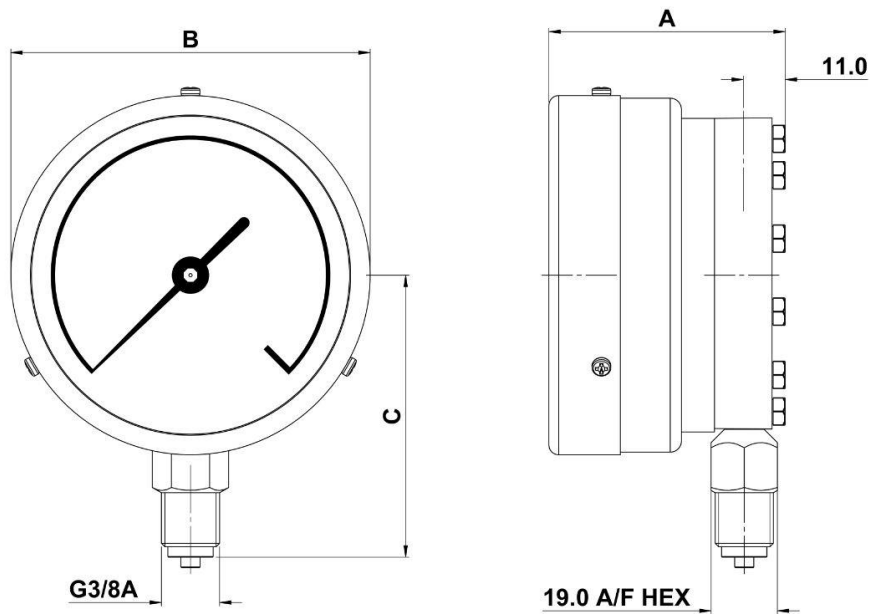
Temperature Coefficient 0.07% of range per 0°C to 20°C

Special Dial Markings

Dials calibrated in other pressure units such as Kn/m², MN/m², kPa, Kg/cm² and dual scale can be supplied if required. An extra charge is made for special dial marking.

Technical Drawings

Type 65



Normal Size	A	B	C	Weight
100mm	66.8mm	103mm	79.5mm	1.1kg
150mm	71.8mm	151mm	103.5mm	1.4kg

Standard Materials

Case

100mm Mild Steel Case with Brass Bezel Black Enamelled

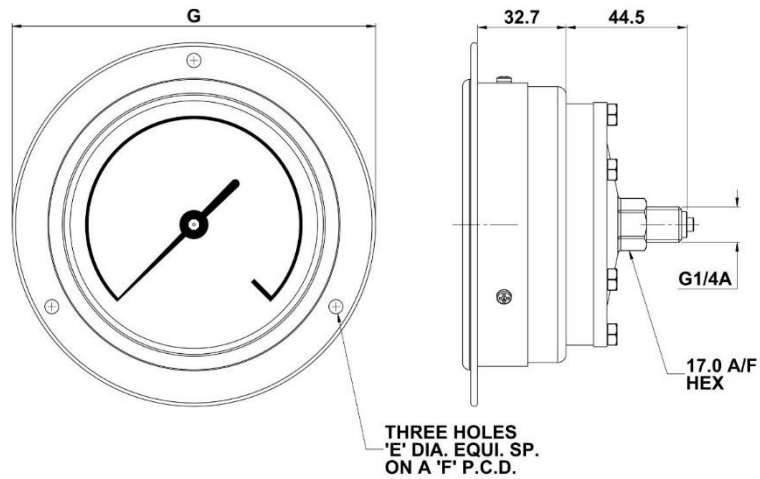
150mm Aluminium Case with Mild Steel Bezel Black Enamelled

Alternatively 304 Stainless Steel Case and Bezel (Type 65S)

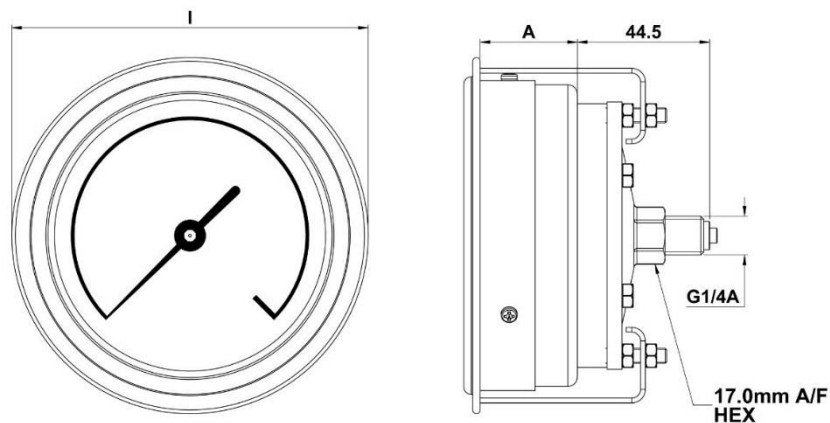
Pressure Chamber Brass with Beryllium Copper Diaphragm, PTFE Seal

Alternatively 17/7 P.H. Stainless Steel Diaphragm with 316 Stainless Steel Pressure Chamber

Type 66



Type 67

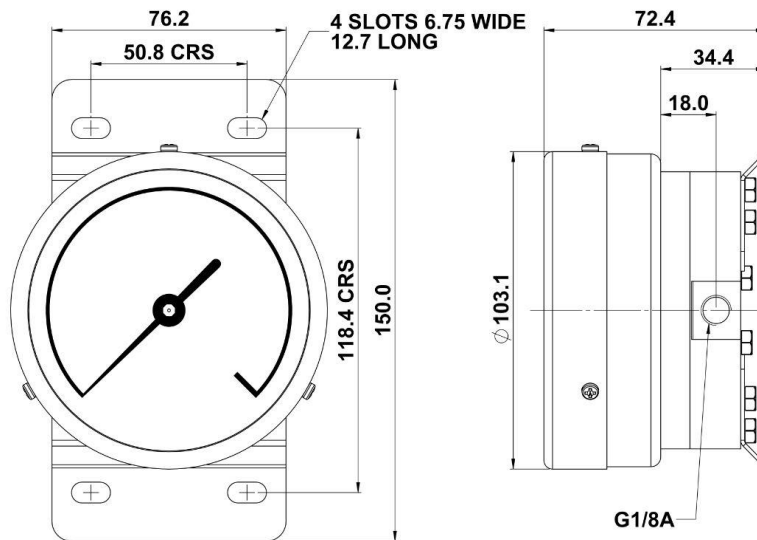


Nominal Size	A	E	F	G	I	No of Clamps	Panel Cut-out	Weight
100mm	32.4mm	5mm	120.7mm	134mm	120mm	2	112mm	0.9kg
160mm	42.2mm	5mm	175mm	184mm	169mm	3	165.1mm	1.1kg

Materials of Construction

Case	100mm Gauge, Mild Steel Case with Mild Steel Bezel Black Enamelled 160mm Gauge, Gauge Aluminium case with Mild Steel Bezel Black Enamelled
Pressure Chamber	Brass Base with Beryllium Copper Diaphragm, PTFE Seal.
Alternatively	316 Stainless Steel Pressure Chamber with 17/7 P.H. Stainless Steel Diaphragm

Type 68



Materials of Construction

Case	100mm Gauge, Mild Steel Case with Mild Steel Bezel Black Enamelled
	160mm Gauge, Aluminium Case with Mild Steel Bezel Black Enamelled
Pressure Chamber	Brass Base with Beryllium Copper Diaphragm, PTFE Seal
Alternatively	316 Stainless Steel Pressure Chamber with 17/7 P.H. Stainless Steel Diaphragm