

Bailey & Mackey Ltd



Type 3311 & 3411

This series of pressure switches can be used in all applications where an electrical circuit is required to close or open at a required pressure. The robustness of this series of pressure switches enables all applications in all industries to be satisfied.

- Robust and Reliable
- Diaphragm Operated
- Proven Performance
- Stainless Steel Housing
- Wetted Parts for use with all fluids
- Externally Adjustable
- Enclosure rating IP65
- CE Marked
- External Adjustable Reset

Image Coming
Soon

Mechanical Specifications

Pressures

Type	Pressure Range
3311	-1 to +1 bar
3311	0.2 to 3 bar
3311	0.6 to 8 bar
3311	1 to 20 bar
3311	2 to 30 bar
3311	2 to 40 bar
3411	10 to 160 mbar
3411	20 to 400 mbar

Hysteresis

Hysteresis on these switches is Adjustable. This means it can be adjusted between 5% and 95% of the pressure range of the switch.

Standard Materials

Diaphragm	Beryllium Copper with S/S Protection Disc
Seal	Glass filled PTFE \leq 11 bar Nitrile Rubber $>$ 11 bar
Base	316 Stainless Steel
Housing	316 Stainless Steel
Set Point Accuracy	+/- 2%
Temperature Range	-10 to +85°C (Process fluid must not Solidify)
Temperature Coefficient	0.05% (of range per 0°C from 20°C)

Further Info

Maximum Pressure

To ensure long service life select the pressure range as follows:

Dynamic pressure applications $P_{max} = 75\%$ of Range

Static pressure applications $P_{max} = 100\%$ of Range

Maximum pressure that can be applied is 125% of pressure range.

Installation

These pressure switches can be mounted directly on the connecting thread. Sealing grooves are machined onto the end face of parallel threads for use with sealing washers. A mounting bracket is available if required.

Vacuum Setting

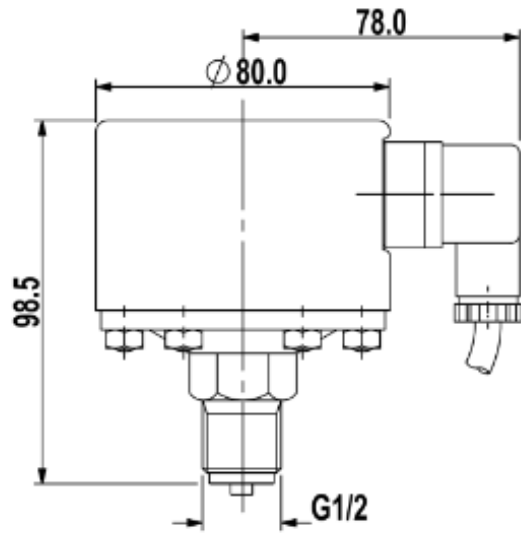
At ambient pressure the switches will be in the operated condition consequently the wiring should be reversed i.e. NO becomes NC

Connecting Threads

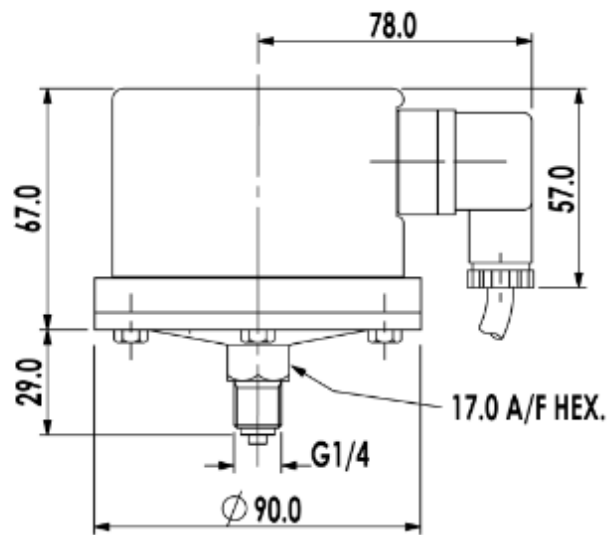
All connecting threads used in industry are available including British, American and Metric. Please state the connecting thread when ordering.

Flanges and Hygienic Fittings

Flanged fittings are available and all types of hygienic fittings can be supplied assembled directly onto the Pressure Switch. If flush diaphragms are required please consult our Technical Sales Team.



TYPE 3311



TYPE 3411