

Bailey & Mackey Ltd



Type 1371P, 1371PV &

2371P

Being a modified version of our series 1000 pressure switches these pressure switches have been specially developed for heavy duty cyclic applications.

They can be used for compressor control, pump control or other applications, where accuracy and long service life are paramount. Variants of this pressure switch type are adjustable set point with fixed hysteresis, adjustable set point with hysteresis and either Single Pole Double Throw (SPDT) OR Double Pole Double Throw (DPDT) micro-switches as well as twin switches for high/low adjustable set points.

- Robust and Reliable
- Long service life
- Diaphragm operated
- Accurate and Stable
- SPDT & DPDT Versions
- Gold contacts available
- Enclosure rating IP65
- CE Marked



Mechanical Specifications

Pressure Ranges

- 0.5 to 2.5 bar
- 1 to 4 bar
- 1.5 to 6 bar
- 2.5 to 11 bar
- 4 to 16 bar
- 7 to 25 bar
- 8 to 32 bar

Standard Materials

Diaphragm	Silicon Rubber
Connection	Brass
Housing	Aluminium/Zinc Alloy
Cover	Glass filled nylon with Neoprene rubber seal

Maximum working Pressure 70 bar

Temperature Range -40 to +85°C

Electrical Connection

Via 4 pin plug & socket on SPDT switches and 7 pin plug & socket on DPDT and twin switches.

Further Info

1371P

Features an adjustable set point and a fixed hysteresis. Both SPDT and DPDT micro-switches can be fitted; when ordering state which is required. Standard micro-switch contacts are silver, gold contacts can be provided for electrical loads below 6 volts at 0.1 amps dc.

1371VP

Features an adjustable set point and an adjustable hysteresis. Both SPDT and DPDT micro-switches can be fitted; when ordering state which is required. Standard micro-switch contacts are silver, gold contacts can be provided for electrical loads below 6 volts at 0.1 amps dc.

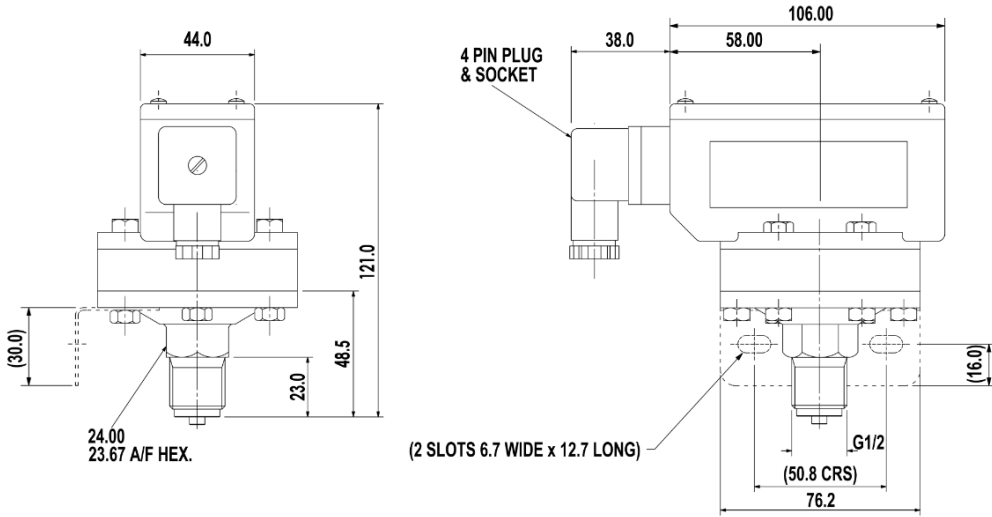
2371P

Features 2 adjustable set points with a fixed hysteresis. Only SPDT micro-switches can be fitted. Standard micro-switch contacts are silver, gold contacts can be provided for electrical loads below 6 volts at 0.1 amps dc.

Electric Ratings

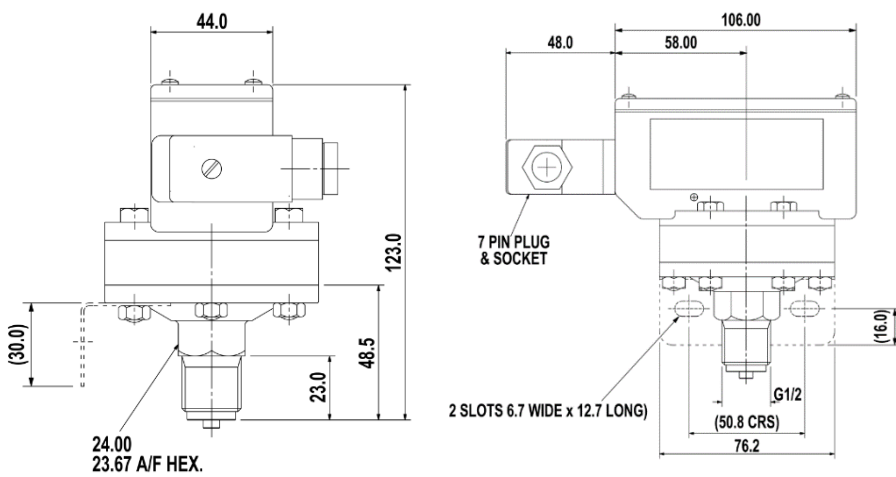
	ac Amps				dc Amps				
Volts	14	30	125	250	8	14	30	125	250
Type 1371P & 1371VP SPDT Switch									
Resistive	15	15	15	15	For dc loads consult our Technical Sales Department				
Inductive	15	15	15	15					
Type 1371P & 1371VP DPDT Switch									
Resistive	10	10	10	10	10	10	10	0.5	0.25
Inductive	6	6	6	4	6	6	4	0.05	0.03
Type 2371P SPDT Switch									
Resistive	5	5	5	5	For dc loads consult our Technical Sales Department				
Inductive	5	5	5	5					

1371P



Plug	
1	COM.
2	N/C
3	N/O
4	EARTH

1371VP & 2371P



Plug	SW.1	SW.2
1	1-COM.	
2	2-N/C	
3	3-N/O	
4	EARTH	
5		1-COM.
6		2-N/C
7		3-N/O